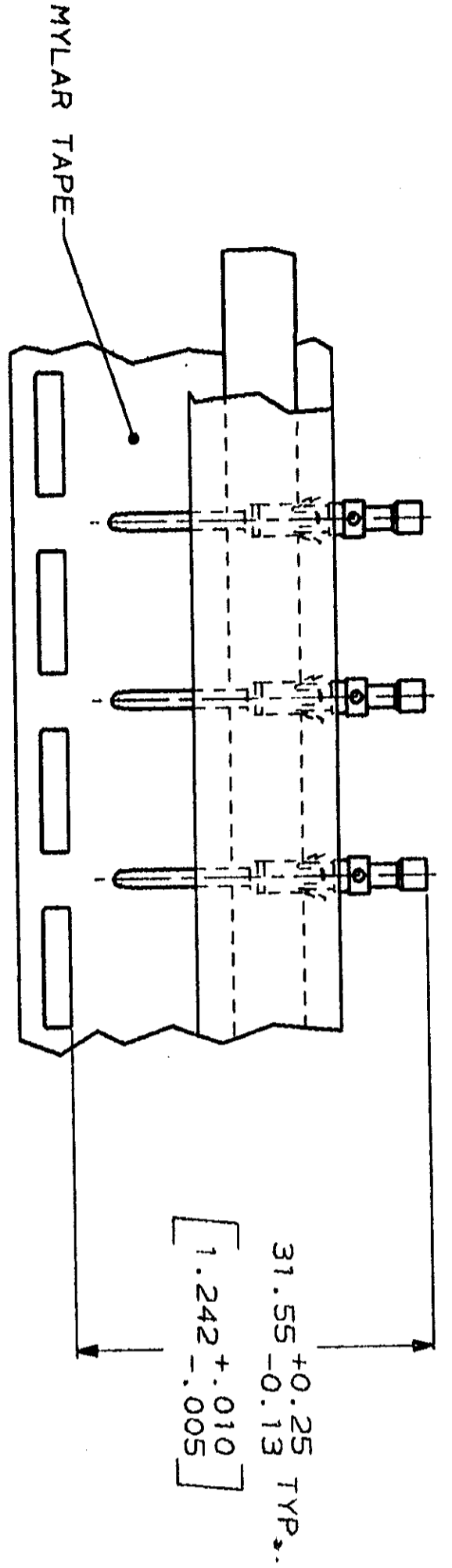
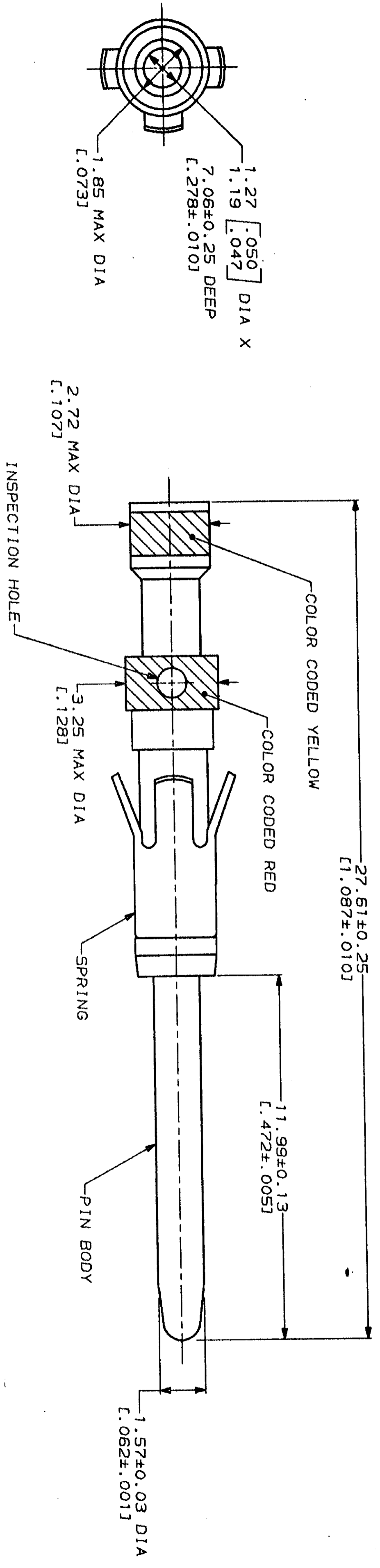


REV	DATE	DESCRIPTION
4	04/08/93	ADDED -9 PER NPR 4680 AND REDRAWN ON CAD



TAPE MTG DETAIL
 SCALE 2:1

- 1. 0.76µm [0.00030] MIN GOLD OVER 1.27µm [0.00050] MIN NICKEL.
- 2. WHEN ORDERING CONTACT ASSEMBLY ON TAPE, ORDER BY THE TAPE NUMBER PLUS THE PACKAGING CODE AS FOLLOWS:
 - 1. FOR USE WITH AMP TAPETRONIC, PNEUMATIC TOOL-
 - A. 1000 PARTS TO A BOX ADD PACKAGING CODE: 1MBOX
 - 2. FOR USE WITH 4/8 INDENT STRIPPER CRIMPER-
 - A. 1000 PARTS TO A REEL ADD PACKAGING CODE: 1MREEL
 - B. 5000 PARTS TO A REEL ADD PACKAGING CODE: 5MREEL

DO NOT SCALE PRINT. UNLESS SPECIFIED [INCHES] DIMENSIONS IN mm [INCHES] TOLERANCES ON: 1. DIMENSIONS IN mm [INCHES] 2. PLG DEC # - - - 3. PLG DEC # - - - ANGLES	DR 04/08/93 D. SELTZ CHK 4-26-93 R. STONE APPD 4-29-93 R.S. KLINE	NAME AMP AMP Incorporated Harrisburg, PA 17105-3608
MATERIAL PIN BODY: COPPER ALLOY SPRING: STAINLESS STEEL	PRODUCT SPEC	CONTACT ASSEMBLY, PIN, #16, 20-24 AWG, TYPE 11
FINISH PIN BODY: ∇ 1	APPLICATION SPEC	SMALL PACK TAPING MTG (SEE DETAIL) ∇ STANDARD PACKAGING TYPE
WEIGHT	SCALE 10:1	201578-8 201578-4 201578-1 PART NO

CUSTOMER DRAWING